

CavitySlider™ Pocket Frame



Watch the Video



AVAILABLE WITH:
 SofStop® Soft Close / Soft Open

The Premium Pocket Door Solution

The **CS Cavity Slider™** is a practical solution for those areas where there is not enough space for a swinging door. Unlike other pocket systems, the CS Cavity Slider™ is structurally robust due to its construction from aluminum extrusions.

The **CS Cavity Slider™** is suitable for residential and commercial projects as it meets Type 1 construction code without any combustible materials.

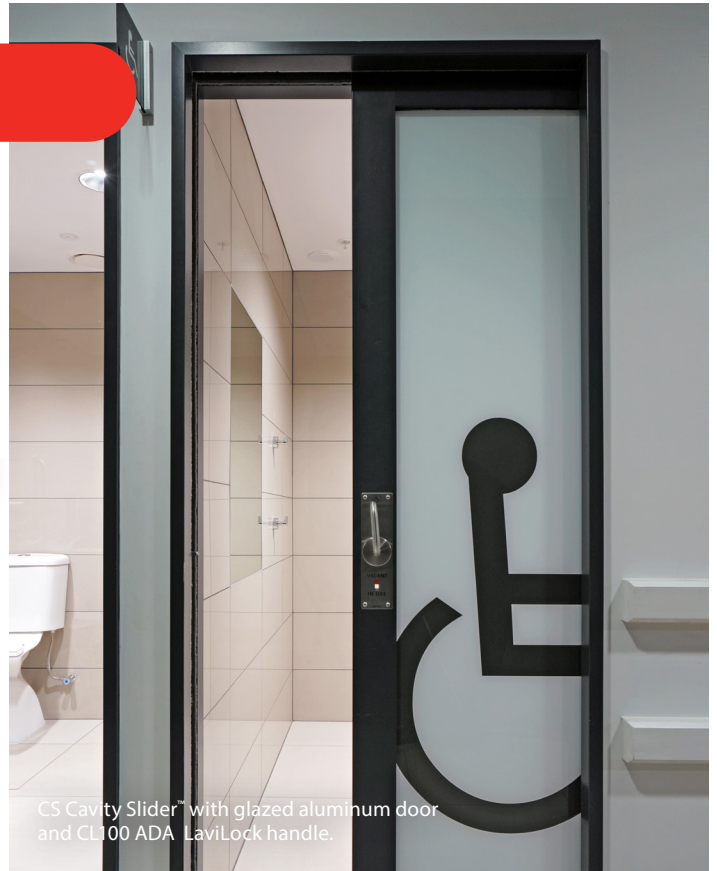
In addition to its space saving attributes in restrooms, hallways and laundries, it can be used with confidence for architectural feature openings around your project.

CavitySlider™ Pocket Frame

- Accommodates 1-3/8" to 1-3/4" doors (35 to 44.5mm)
- Up to 4'0"x8'0" door size (1220 x 2438mm) and can be cut down on site
- Designed for 2x4 Stud Size



CS Cavity Slider™ kitset box.



CS Cavity Slider™ with glazed aluminum door and CL100 ADA LaviLock handle.

AVAILABLE WITH:
SofStop® Soft Close / Soft Open



CS Ultimate Cavity Slider™ with wooden doors.

CavitySlider™ Ultimate Pocket Frame

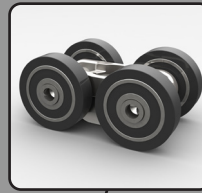
The **CS Cavity Slider® Ultimate** is the gold standard of pocket frames. It is the largest and most robust manufactured pocket frame on the market.

- Accommodates 1-3/8" to 2-1/4" thick doors (35 to 57 mm)
- Up to 5'0"x10'0" door size (1524 x 3048mm) and can be cut down on site
- Designed for 2x6 Stud Size



CS Cavity Slider™ Ultimate kitset box.

ES CavitySlider™ Features

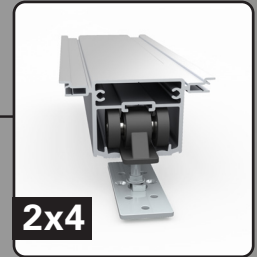


Smooth running carriages with encased ball bearings. Up to 500lb (240kg) capacity

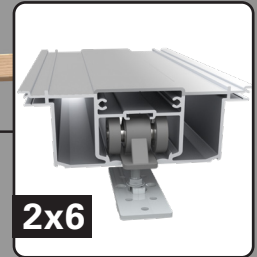
SofStop®
Soft Close/Soft Open also available



Corner joining brackets ensure precise right angled assembly



2x4



2x6

Extruded aluminum track incorporated into head unit



T-joining brackets for easy assembly of slats to split jambs & back stud

Horizontal slats for added strength

Split Jambs and slats use hollow core technology for superior rigidity

Door Thickness
1-3/8" to 1-3/4"
2x4 Stud
1-3/8" to 2-1/4"
2x6 Stud

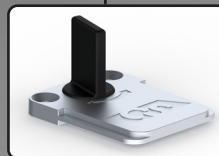
Strong aluminum frame complies with Type 1 Construction



Trim Clips for quick & easy trim fitting

Compatible with 4" and 6" stud sizes

Bottom plate assembly



Adjustable T-Guide



Instructions/
Instrucciones

Patent Pending



Cycle tested
1 million
openings



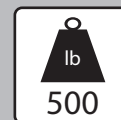
ADA
compliant



Available
with
SofStop®



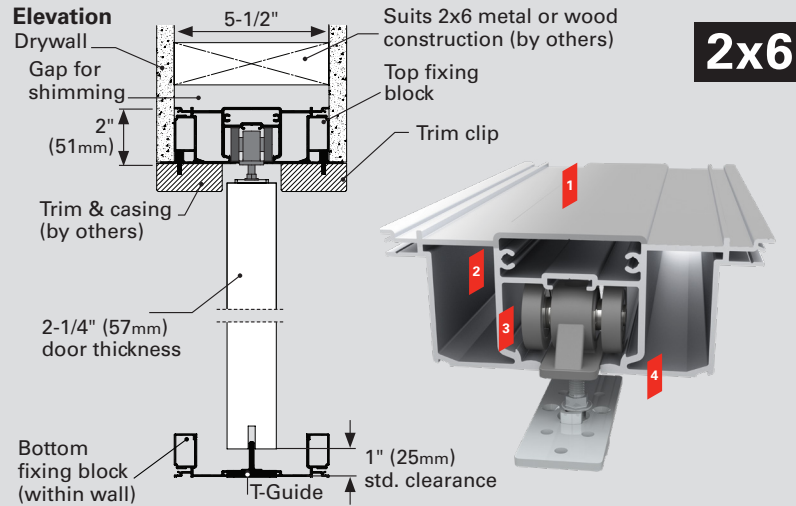
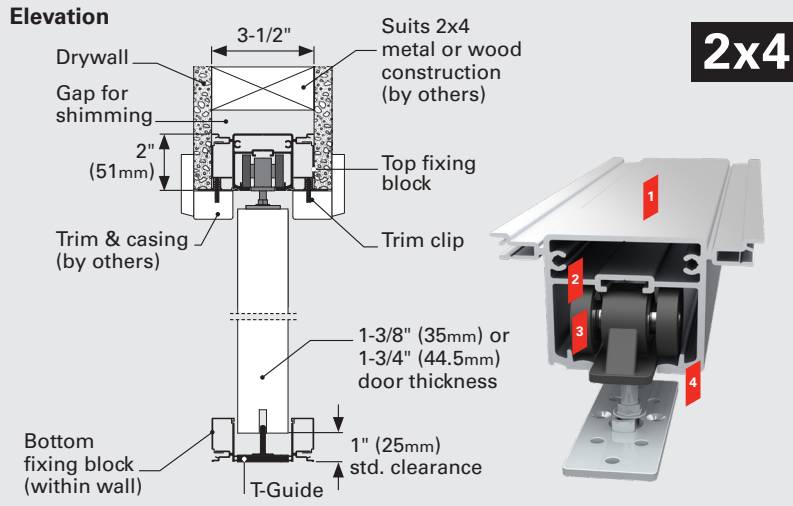
Single or
Bi-Parting
units



Maximum
door
weight

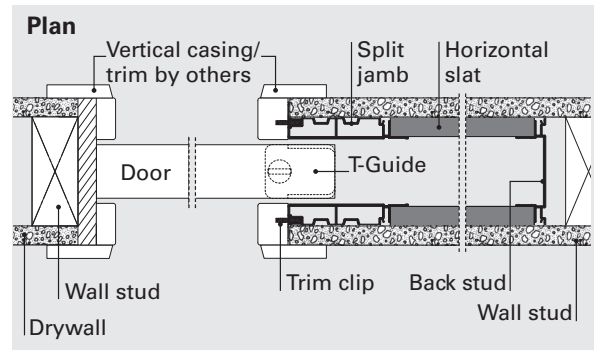


Easy
assembly



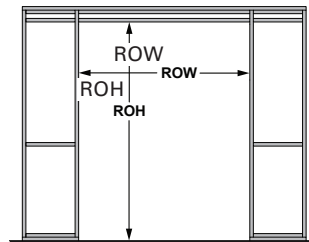
Standard CS Track Features

Our engineers focus on constantly developing new products and refining existing ones. That's why our products come with a number of unique features:



- 1 Heavy duty one-piece extruded aluminum track.
- 2 Minimal clearance means the carriages/wheels cannot jump off the track or jam.
- 3 Large diameter wheels with precision ground bearings make for smooth running.
- 4 Radiused track reduces friction and allows dust to be pushed into the gutters so the door always slides smoothly.
- 5 M8 body made from cast stainless steel for strength and reliability. 4-wheel carriages are standard on all doors over 200lb.
- 6 CarriSnap™ quick release system allows the door to be removed easily from the track; no need to unscrew anything and lose door height adjustment.

Rough Opening



DH = Door Height
DW = Door Width

Dimension	Calculation
RO height	DH + 4 1/4"
RO width - Single	(DW x 2) + 2"
RO width - Bi-Parting	(DW x 4) + 2"

1. **Choose Size:** Frames can be cut down on site. Maximum size for each model shown below:

How to Order

	Model	Max Door Size	
		inches	mm
2x4 Stud	CSS4K3068	3'0" x 6'8"	914 x 2032mm
	CSS4K3080	3'0" x 8'0"	914 x 2438mm
	CSS4K4080	4'0" x 8'0"	1219 x 2438mm
2x6 Stud	CSU6K2680	2'6" x 8'0"	762 x 2438mm
	CSU6K3080	3'0" x 8'0"	914 x 2438mm
	CSU6K4080	4'0" x 8'0"	1219 x 2438mm
	CSU6K3090	3'0" x 9'0"	914 x 2743mm
	CSU6K4090	4'0" x 9'0"	1219 x 2743mm
	CSU6K30100	3'0" x 10'0"	914 x 3048mm
	CSU6K40100	4'0" x 10'0"	1219 x 3048mm
	CSU6K50100	5'0" x 10'0"	1524 x 3048mm

2. **Choose a carriage pack** (one per door) (includes carriages, mounting plates, T-Guide, fixing screws and adjusting wrench) Packs are available with 0, 1 or 2 track stops.

Standard	Minimum Door Width	
	No Stop	1 Stop
176lb	25" (635mm)	28" (711mm)
176-264lb (120kg)	28" (711mm)	31" (787mm)
SofStop® Twin	No Stop	1 Stop
176lb	33" (840mm)	36" (914mm)

www.cavitysliders.com

High quality products designed in New Zealand



Cavity Sliders USA Inc.

548 Finney Ct.
Gardena, CA 90248

T (888) 466 0030
F (310) 769 5824
E info@cavitysliders.com

Another quality product from:



The Pocket Door Experts